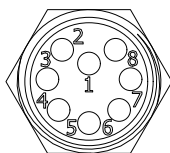


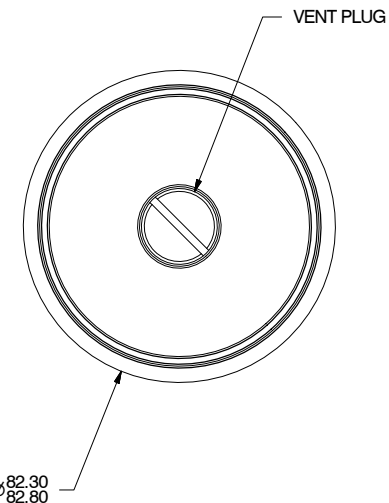
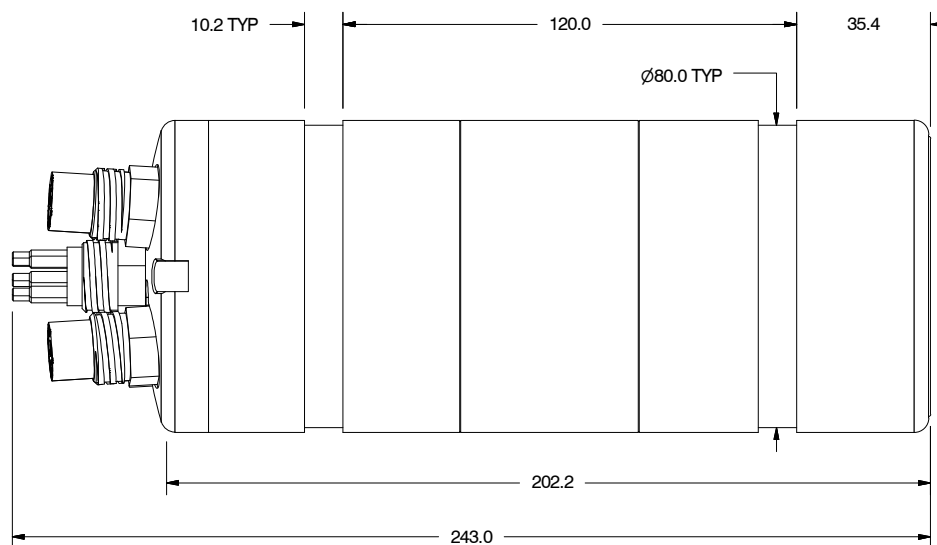
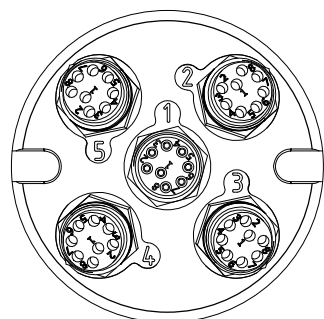
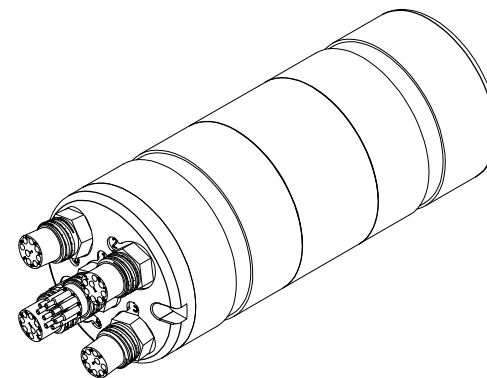
PIN ASSIGNMENT	
PIN	SIGNAL
1	DC RTN
2	GND
3	TX-
4	TX+
5	RX-
6	RX+
7	DC PWR
8	SYNC



MALE PINS
FACE VIEW



FEMALE SOCKETS
FACE VIEW



NOTES:

- CONNECTORS: SUBCONN MCBH-8-SS
- MATERIAL, CASE: POM
- MAX. WORKING DEPTH: 200 m
- MASS: 1040 g
- BUOYANCY IN SEAWATER: 160 g

INPUT VOLTAGE	
-XX	VOLTAGE
24	24
30	30
36	36
48	48

THE INFORMATION CONTAINED IN THIS DOCUMENT IS CONFIDENTIAL AND SHALL NOT BE MADE PUBLIC, OR COPIED, OR USED AS THE BASIS FOR THE MANUFACTURE OR SALE OF ITEMS UNLESS SPECIFICALLY AUTHORIZED IN WRITING BY OCEAN SONICS LIMITED. THIS DOCUMENT IS THE PROPERTY OF OCEAN SONICS LIMITED AND IS SUBJECT TO RETURN ON DEMAND. ALL PRODUCT, PRODUCT SPECIFICATIONS AND DATA ARE SUBJECT TO CHANGE WITHOUT NOTICE.

COPYRIGHT © 2017 OCEAN SONICS LTD.

UNLESS OTHERWISE NOTED:

- DIMS IN MILLIMETRES
- X ± 0.75
- XX ± 0.25
- XXX ± 0.075
- ANGLES ± 1/2°
- ECCENTRICITY 0.075 MAX
- FLATNESS 0.075 T.I.R.
- SURFACE FINISH: 125/



Ocean Sonics Limited
NOVA SCOTIA, CANADA
WWW.OCEANSONICS.COM

TITLE

icLink, 200 m



SIZE
A

DRAWING NUMBER

HM2-XX

REV
A

SCALE
1:2

SHEET

1 OF 1