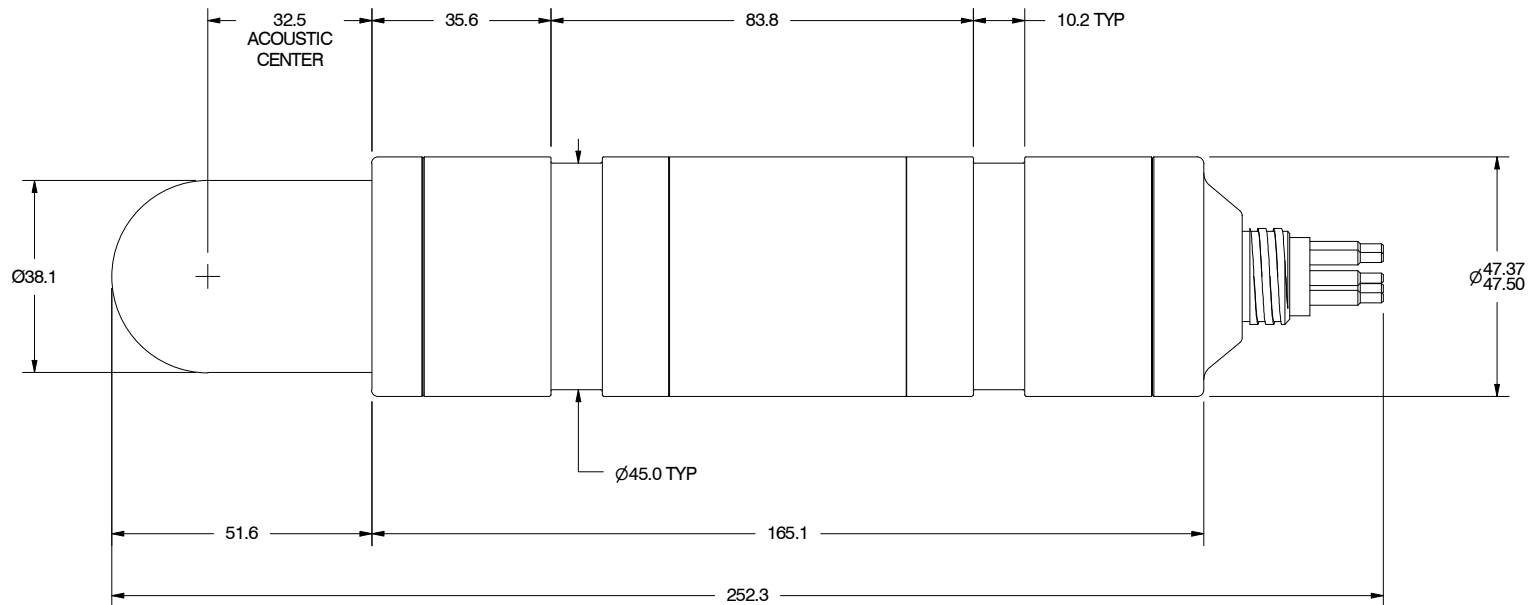
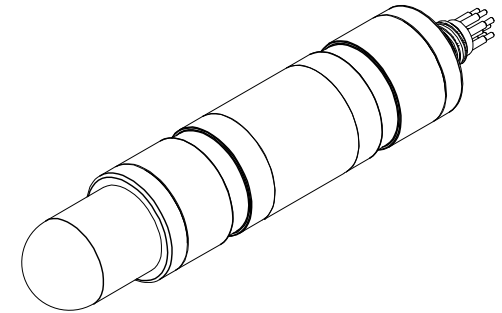


PIN ASSIGNMENT	
PIN	SIGNAL
1	DC RTN
2	GND
3	TX-
4	TX+
5	RX-
6	RX+
7	DC PWR
8	SYNC



MALE PINS
FACE VIEW



NOTES:

1. CONNECTOR: SUBCONN MCBH-8M-TI
2. CASE MATERIAL: TITANIUM
3. MAX. WORKING DEPTH: 3500 m
4. MASS: 1045 g
5. WEIGHT IN SEAWATER: 686 g

UNLESS OTHERWISE NOTED: 1. DIMS IN MILLIMETRES 2. X ± 0.75 3. XX ± 0.25 4. XXX ± 0.075 5. ANGLES ± 1/2° 6. ECCENTRICITY 0.075 MAX 7. FLATNESS 0.075 T.I.R. 8. SURFACE FINISH: 125✓			Ocean Sonics Limited NOVA SCOTIA, CANADA WWW.OCEANSONICS.COM	
	TITLE icListen AF, 3500 m			
SIZE A	DRAWING NUMBER PUB-SA35-ETH-X	REV A	SCALE 2:3	SHEET 1 OF 1

THE INFORMATION CONTAINED IN THIS DOCUMENT IS CONFIDENTIAL AND SHALL NOT BE MADE PUBLIC, OR COPIED, OR USED AS THE BASIS FOR THE MANUFACTURE OR SALE OF ITEMS UNLESS SPECIFICALLY AUTHORIZED IN WRITING BY OCEAN SONICS LIMITED. THIS DOCUMENT IS THE PROPERTY OF OCEAN SONICS LIMITED AND IS SUBJECT TO RETURN ON DEMAND. ALL PRODUCT, PRODUCT SPECIFICATIONS AND DATA ARE SUBJECT TO CHANGE WITHOUT NOTICE.

COPYRIGHT © 2017 OCEAN SONICS LTD.

