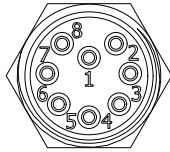
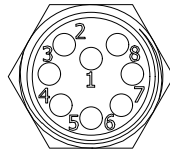


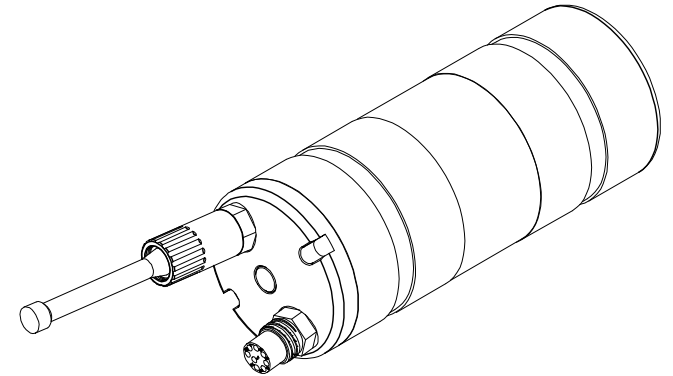
PIN ASSIGNMENT	
PIN	SIGNAL
1	DC RTN
2	GND
3	TX-
4	TX+
5	RX-
6	RX+
7	DC PWR
8	SYNC



MALE PINS
FACE VIEW

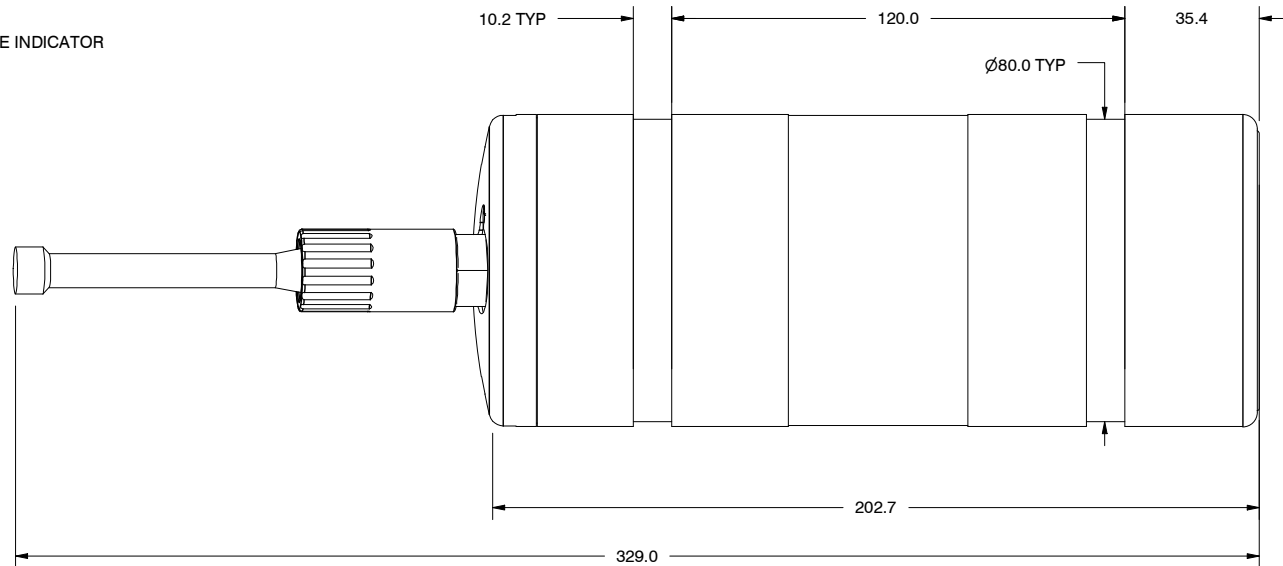
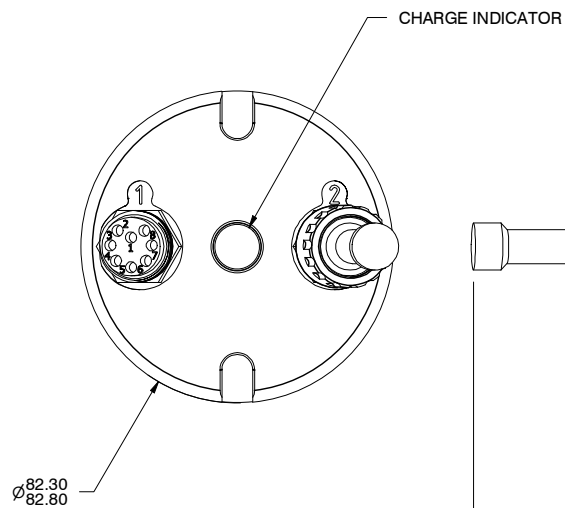


FEMALE SOCKETS
FACE VIEW



BATTERY DATA	
BATTERY TYPE	LI-ION(18650)
CAPACITY (Wh)	100
OUTPUT VOLTAGE (V)	18.0 - 25.2
RATED CURRENT (A)	1.5 MAX
CHARGING CURRENT (A)	1.2 MAX
CHARGING VOLTAGE (V)	30.0

CHARGE INDICATOR	
STATE	CONDITION
FLASHING GREEN	CHARGING
SOLID GREEN	CHARGE COMPLETE
FLASHING RED	FAULT



NOTES:

- CONNECTORS: SUBCONN MCBH-8-SS
- CASE MATERIAL: POM
- MAX. WORKING DEPTH: 200 m
- MASS: 1.4 kg
- WEIGHT IN SEAWATER: 240 g

THE INFORMATION CONTAINED IN THIS DOCUMENT IS CONFIDENTIAL AND SHALL NOT BE MADE PUBLIC, OR COPIED, OR USED AS THE BASIS FOR THE MANUFACTURE OR SALE OF ITEMS UNLESS SPECIFICALLY AUTHORIZED IN WRITING BY OCEAN SONICS LIMITED. THIS DOCUMENT IS THE PROPERTY OF OCEAN SONICS LIMITED AND IS SUBJECT TO RETURN ON DEMAND. ALL PRODUCT, PRODUCT SPECIFICATIONS AND DATA ARE SUBJECT TO CHANGE WITHOUT NOTICE.

COPYRIGHT © 2019 OCEAN SONICS LTD.

UNLESS OTHERWISE NOTED:

- DIMS IN MILLIMETRES
- X ± 0.75
- XX ± 0.25
- XXX ± 0.075
- ANGLES ± 1/2°
- ECCENTRICITY 0.075 MAX
- FLATNESS 0.075 T.I.R.
- SURFACE FINISH: 125



Ocean Sonics Limited
NOVA SCOTIA, CANADA
WWW.OCEANSONICS.COM

TITLE		100Wh SUBSEA POWER BANK		
SIZE	DRAWING NUMBER	REV	SCALE	SHEET
A	PUB-BR2-B2	B	1:2	1 OF 1

