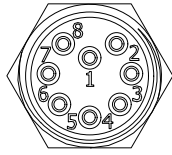
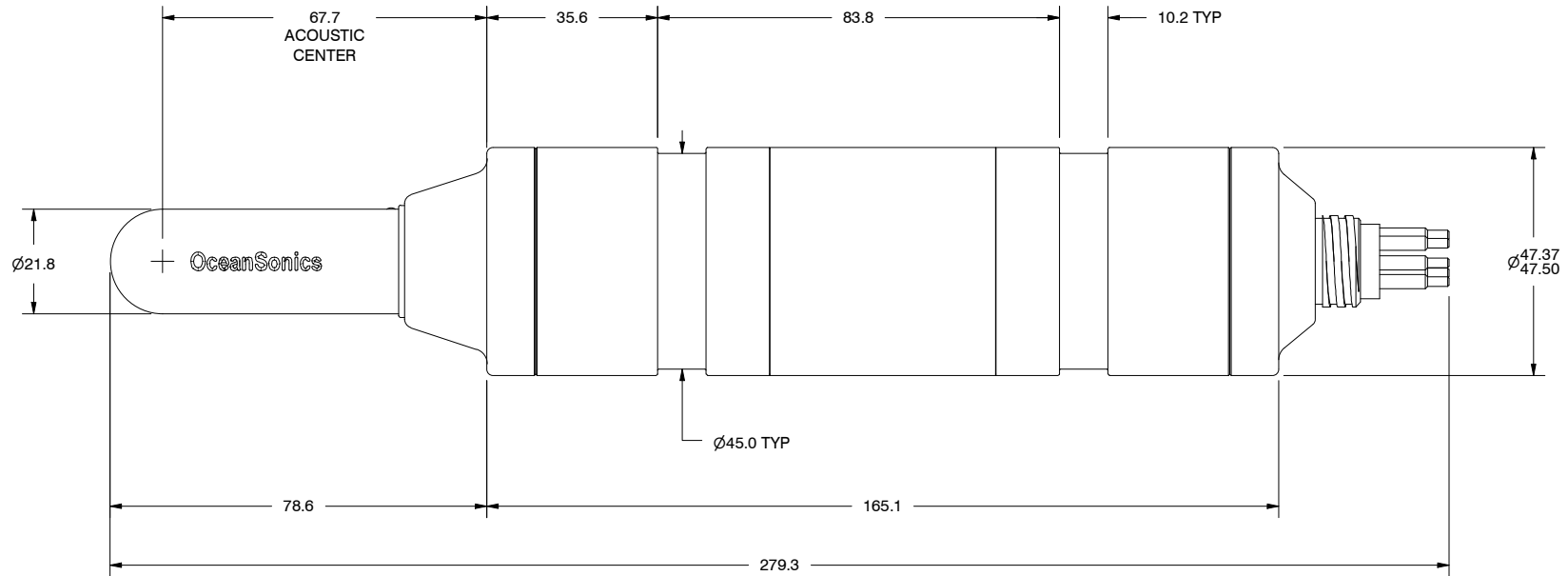
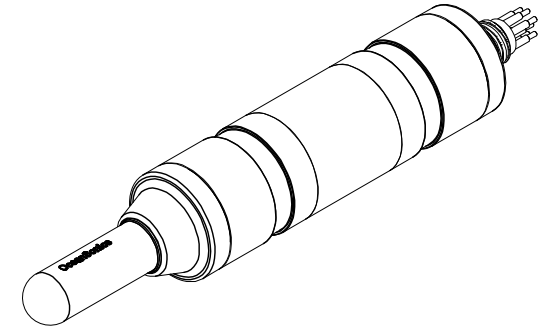


PIN ASSIGNMENT	
PIN	SIGNAL
1	DC RTN
2	GND
3	TX-
4	TX+
5	RX-
6	RX+
7	DC PWR
8	SYNC



MALE PINS  
FACE VIEW



NOTES:

1. CONNECTOR: SUBCONN MCBH-8M-TI
2. CASE MATERIAL: POM
3. END CAP MATERIAL: TITANIUM
4. MAX. WORKING DEPTH: 200 m
5. MASS: 584 g
6. WEIGHT IN SEAWATER: 242 g

THE INFORMATION CONTAINED IN THIS DOCUMENT IS CONFIDENTIAL AND SHALL NOT BE MADE PUBLIC, OR COPIED, OR USED AS THE BASIS FOR THE MANUFACTURE OR SALE OF ITEMS UNLESS SPECIFICALLY AUTHORIZED IN WRITING BY OCEAN SONICS LIMITED. THIS DOCUMENT IS THE PROPERTY OF OCEAN SONICS LIMITED AND IS SUBJECT TO RETURN ON DEMAND. ALL PRODUCT, PRODUCT SPECIFICATIONS AND DATA ARE SUBJECT TO CHANGE WITHOUT NOTICE.

COPYRIGHT © 2022 OCEAN SONICS LTD.

UNLESS OTHERWISE NOTED:

1. DIMS IN MILLIMETRES
2. X ± 0.75
3. XX ± 0.25
4. XXX ± 0.075
5. ANGLES ± 1/2°
6. ECCENTRICITY 0.075 MAX
7. FLATNESS 0.075 T.I.R.
8. SURFACE FINISH: 125



OCEAN SONICS

Ocean Sonics Limited

NOVA SCOTIA, CANADA

WWW.OCEANSONICS.COM

TITLE

icTalk HF, 200 m



SIZE  
A

DRAWING NUMBER

PUB-TH2-SER-4F

REV  
A

SCALE  
2:3

SHEET

1 OF 1