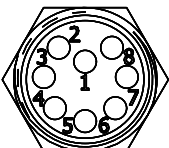
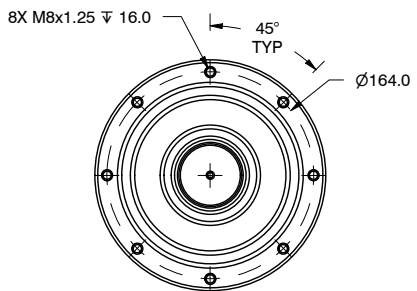


PIN ASSIGNMENT	
PIN	SIGNAL
1	DC RTN
2	GND
3	TX-
4	TX+
5	RX-
6	RX+
7	DC PWR
8	SYNC

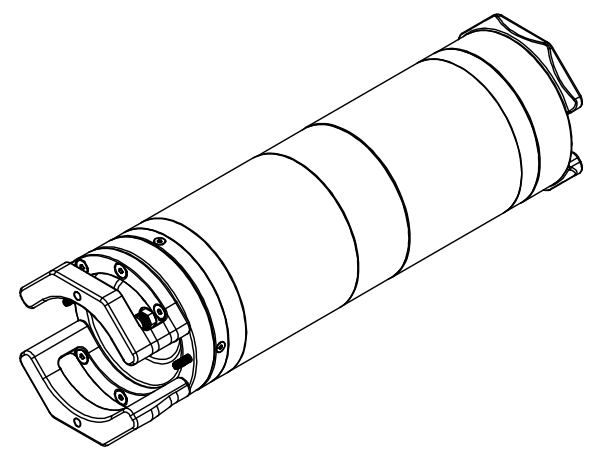


**FEMALE SOCKETS  
FACE VIEW**

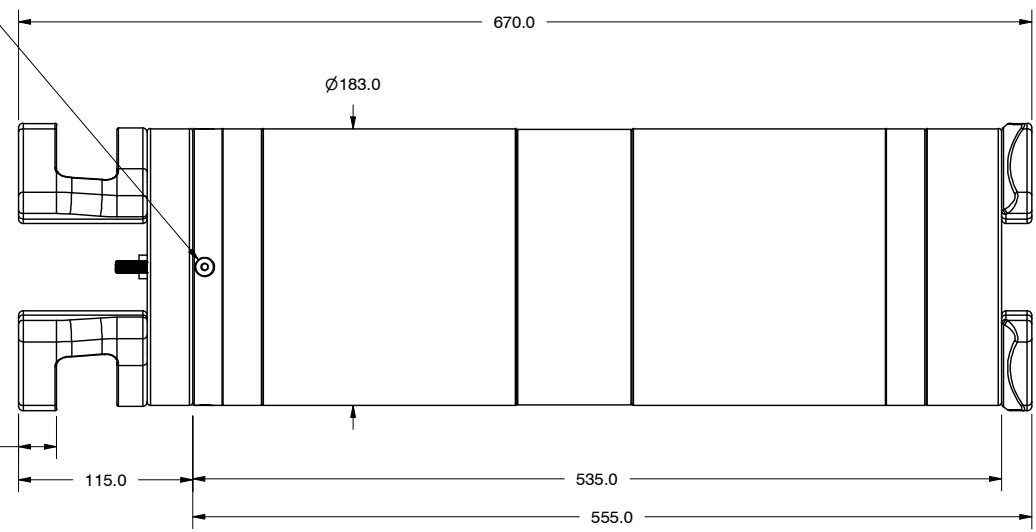
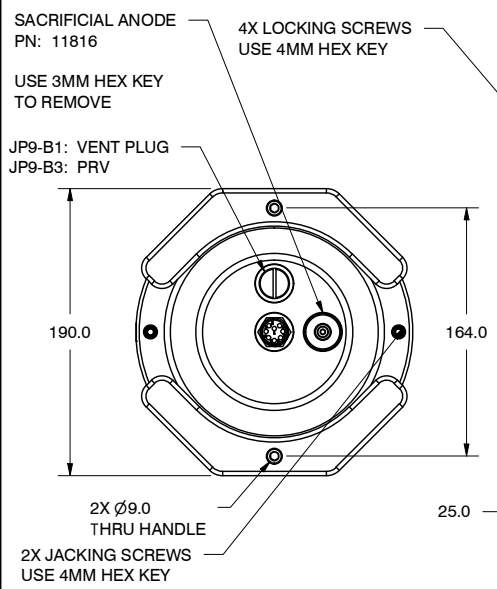


HOLE PATTERN ON TOP AND  
BOTTOM WHEN HANDLES AND FEET  
ARE REMOVED

TOP AND BOTTOM HOLES ALIGN

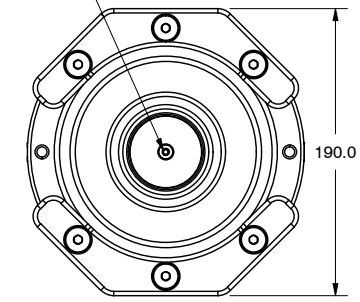


BATTERY TYPE	ALKALINE (LR20)	LITHIUM (FR20)
EMPTY MASS (kg)	16.0	16.0
BATTERY MASS (kg)	10.0	7.2
WEIGHT IN AIR (kg)	26.0	23.2
WEIGHT IN SEAWATER (kg)	16.0	13.2
CAPACITY (Wh)	1500	4500
OUTPUT VOLTAGE (V)	14.4 - 28.8	18.0 - 21.6
RATED CURRENT (A)	1.0 MAX	1.0 MAX



SACRIFICIAL ANODE  
PN: 11012


USE 3MM HEX KEY  
TO REMOVE



- NOTES:**
- CONNECTOR: SUBCONN MCBH-8F-SS
  - MAX. WORKING DEPTH: 900 m
  - BATTERY CAPACITY: 72 x D-CELL
  - REPLACE ANODES WHEN 50% CONSUMED

THE INFORMATION CONTAINED IN THIS DOCUMENT IS CONFIDENTIAL AND SHALL NOT BE MADE PUBLIC, OR COPIED, OR USED AS THE BASIS FOR THE MANUFACTURE OR SALE OF ITEMS UNLESS SPECIFICALLY AUTHORIZED IN WRITING BY OCEAN SONICS LIMITED. THIS DOCUMENT IS THE PROPERTY OF OCEAN SONICS LIMITED AND IS SUBJECT TO RETURN ON DEMAND. ALL PRODUCT, PRODUCT SPECIFICATIONS AND DATA ARE SUBJECT TO CHANGE WITHOUT NOTICE.

COPYRIGHT © 2023 OCEAN SONICS LTD.

<small>UNLESS OTHERWISE NOTED:</small> 1. DIMS IN MILLIMETRES 2. X ± 0.75 3. XX ± 0.25 4. XXX ± 0.075 5. ANGLES ± 1/2° 6. ECCENTRICITY 0.075 MAX 7. FLATNESS 0.075 T.I.R. 8. SURFACE FINISH: 125/	 <b>OCEAN SONICS</b> Ocean Sonics Limited NOVA SCOTIA, CANADA WWW.OCEANSONICS.COM	TITLE		
		<b>BATTERY PACK, 900m</b>		
SIZE <b>A</b>	DRAWING NUMBER <b>JP9-BX</b>	REV <b>A</b>	SCALE <b>1:5</b>	SHEET <b>1 OF 1</b>