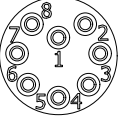
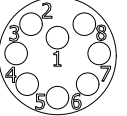


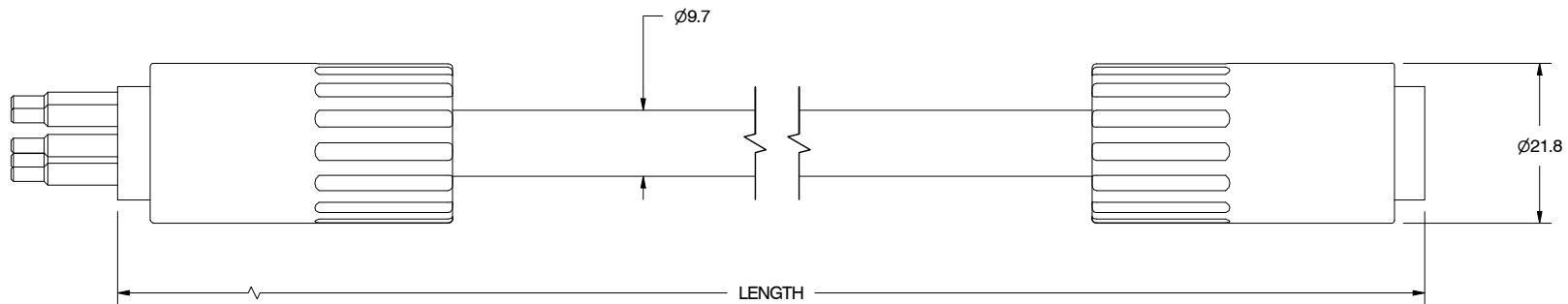
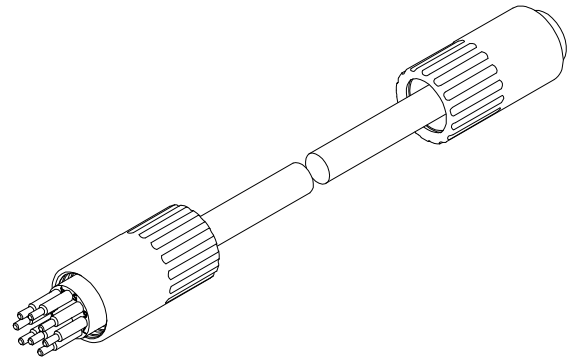
PIN ASSIGNMENT	
PIN	SIGNAL
1	DC RTN
2	GND
3	TX-
4	TX+
5	RX-
6	RX+
7	DC PWR
8	SYNC



MALE PINS
FACE VIEW



FEMALE SOCKETS
FACE VIEW



NOTES:

1. CONNECTORS: SUBCONN MCIL-8F & MCIL-8M WITH MCDLSF LOCKING SLEEVES
2. CABLE CONSTRUCTION: CAT 5E - 24 AWG
3. CABLE JACKET MATERIAL: PUR, BLACK
4. MAX. WORKING DEPTH: 200 m
5. CABLE BREAK STRENGTH: NOT RATED
6. MIN. BEND RADIUS: 75 mm
7. MASS: 85 g/m
8. WEIGHT IN SEAWATER: 11 g/m
9. LENGTH TOLERANCE: 0 - 5 m: ± 10%, 5 - 70 m ± 0.5 m

P/N SUFFIX	LENGTH
-5000	0.5 m
-2001	2.0 m
-1002	10.0 m
-2002	20.0 m
-3002	30.0 m
-5002	50.0 m
-7002	70.0 m

UNLESS OTHERWISE NOTED:
 1. DIMS IN MILLIMETRES
 2. X ± 0.75
 3. XX ± 0.25
 4. XXX ± 0.075
 5. ANGLES ± 1/2°
 6. ECCENTRICITY 0.075 MAX
 7. FLATNESS 0.075 T.I.R.
 8. SURFACE FINISH: 125 ✓
 9. BREAK EDGES



Ocean Sonics Limited
 NOVA SCOTIA, CANADA
 WWW.OCEANSONICS.COM

TITLE		EXTENSION CABLE		
SIZE	DRAWING NUMBER	REV	SCALE	SHEET
A	PUB-C2-8F8-X-EXT		1:1	1 OF 1

THE INFORMATION CONTAINED IN THIS DOCUMENT IS CONFIDENTIAL AND SHALL NOT BE MADE PUBLIC, OR COPIED, OR USED AS THE BASIS FOR THE MANUFACTURE OR SALE OF ITEMS UNLESS SPECIFICALLY AUTHORIZED IN WRITING BY OCEAN SONICS LIMITED. THIS DOCUMENT IS THE PROPERTY OF OCEAN SONICS LIMITED AND IS SUBJECT TO RETURN ON DEMAND. ALL PRODUCT, PRODUCT SPECIFICATIONS AND DATA ARE SUBJECT TO CHANGE WITHOUT NOTICE.