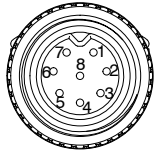
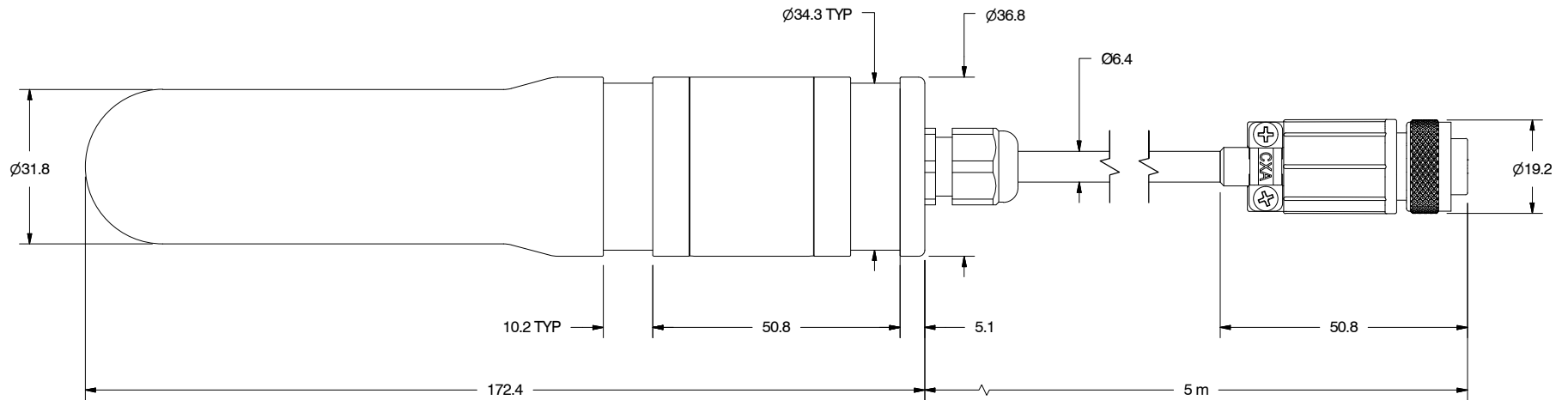
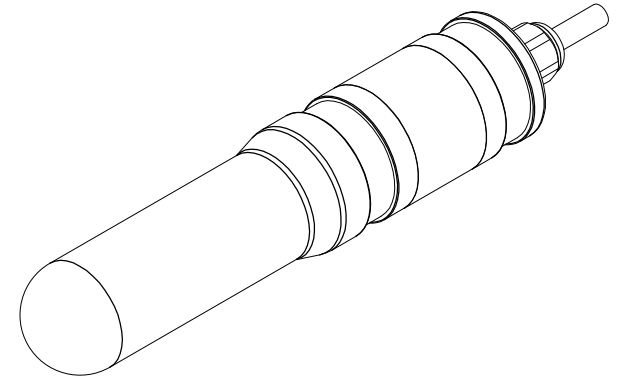


PIN ASSIGNMENT	
PIN	SIGNAL
1	DC RTN
2	GND
3	TX-
4	TX+
5	RX-
6	RX+
7	DC PWR
8	SYNC



MALE PINS
FACE VIEW



NOTES:

1. CONNECTOR: CONXALL SF6282-8PG-520
2. MATERIAL, CASE: POM
3. IP RATING: 66 (68 WHEN MATED)
4. MASS: 333 g

- UNLESS OTHERWISE NOTED:
1. DIMS IN MILLIMETRES
 2. X ± 0.75
 3. XX ± 0.25
 4. XXX ± 0.075
 5. ANGLES ± 1/2°
 6. ECCENTRICITY 0.075 MAX
 7. FLATNESS 0.075 T.I.R.
 8. SURFACE FINISH: 125



Ocean Sonics Limited
NOVA SCOTIA, CANADA
WWW.OCEANSONICS.COM

THE INFORMATION CONTAINED IN THIS DOCUMENT IS CONFIDENTIAL AND SHALL NOT BE MADE PUBLIC, OR COPIED, OR USED AS THE BASIS FOR THE MANUFACTURE OR SALE OF ITEMS UNLESS SPECIFICALLY AUTHORIZED IN WRITING BY OCEAN SONICS LIMITED. THIS DOCUMENT IS THE PROPERTY OF OCEAN SONICS LIMITED AND IS SUBJECT TO RETURN ON DEMAND. ALL PRODUCT, PRODUCT SPECIFICATIONS AND DATA ARE SUBJECT TO CHANGE WITHOUT NOTICE.

COPYRIGHT © 2017 OCEAN SONICS LTD.



TITLE		GPS TIMING MODULE		
SIZE	DRAWING NUMBER	REV	SCALE	SHEET
A	PUB-TM-SER-4F	A	3:4	1 OF 1