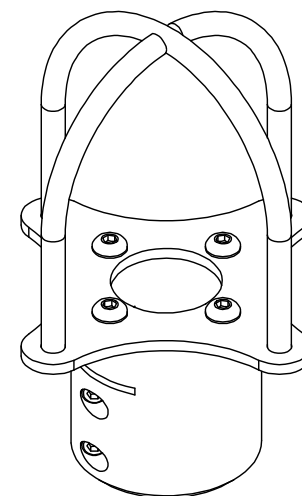


M6 SOCKET HEAD CAP SCREW
USE 5MM HEX DRIVE



SCALE: 1:3

NOTES:

- 1) DISPLACED VOLUME: 278 mL
- 2) MASS: 980 g
- 3) WEIGHT IN WATER: 690 g

THE INFORMATION CONTAINED IN THIS DOCUMENT IS CONFIDENTIAL AND SHALL NOT BE MADE PUBLIC, OR COPIED, OR USED AS THE BASIS FOR THE MANUFACTURE OR SALE OF ITEMS UNLESS SPECIFICALLY AUTHORIZED IN WRITING BY OCEAN SONICS LIMITED. THIS DOCUMENT IS THE PROPERTY OF OCEAN SONICS LIMITED AND IS SUBJECT TO RETURN ON DEMAND. ALL PRODUCT, PRODUCT SPECIFICATIONS AND DATA ARE SUBJECT TO CHANGE WITHOUT NOTICE.

UNLESS OTHERWISE NOTED: 1. DIMS IN MILLIMETRES 2. X ± 0.75 3. X.X ± 0.25 4. X.XX ± 0.075 5. ANGLES ± 12° 6. ECCENTRICITY 0.075 MAX 7. FLATNESS 0.075 T.I.R. 8. SURFACE FINISH: 125 ✓			Ocean Sonics Limited NOVA SCOTIA, CANADA WWW.OCEANSONICS.COM		
	HEAVY GUARD, SC				
	SIZE B	DRAWING NUMBER PUB-GH-SC	REV A	SCALE 1:2	SHEET 1 OF 1