



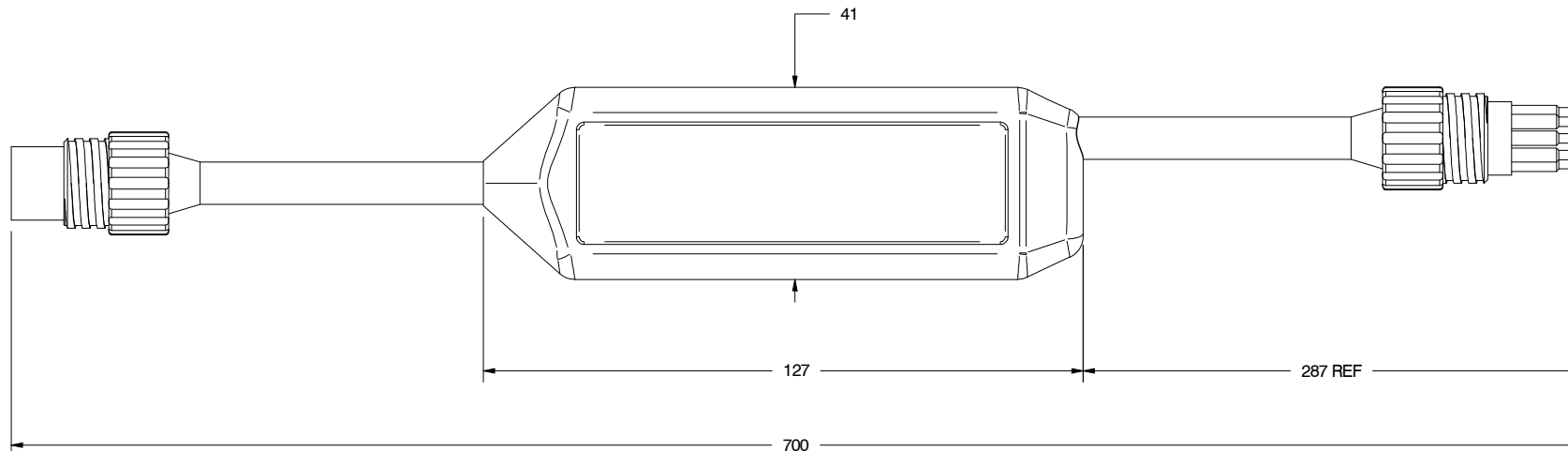
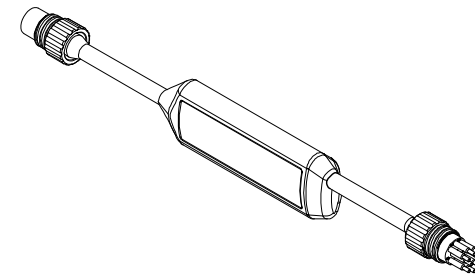
PIN ASSIGNMENT	
PIN	SIGNAL
1	DC RTN
2	GND
3	TX-
4	TX+
5	RX-
6	RX+
7	DC PWR
8	SYNC



MALE PINS  
FACE VIEW



FEMALE SOCKETS  
FACE VIEW



**NOTES:**

1. CONNECTORS: SUBCONN MCIL-8F & MCIL-8M WITH MCDLSM LOCKING SLEEVES
2. CABLE CONSTRUCTION: CAT 5 - 24 AWG
3. CABLE JACKET MATERIAL: PUR, BLACK
4. MAX. WORKING DEPTH: 200 m
5. CABLE BREAK STRENGTH: NOT RATED
6. MIN. BEND RADIUS: 100 mm
7. MASS: 180 g
8. WEIGHT IN SEAWATER: 38 g
9. LENGTH TOLERANCE:  $\pm 30$  mm

THE INFORMATION CONTAINED IN THIS DOCUMENT IS CONFIDENTIAL AND SHALL NOT BE MADE PUBLIC, OR COPIED, OR USED AS THE BASIS FOR THE MANUFACTURE OR SALE OF ITEMS UNLESS SPECIFICALLY AUTHORIZED IN WRITING BY OCEAN SONICS LIMITED. THIS DOCUMENT IS THE PROPERTY OF OCEAN SONICS LIMITED AND IS SUBJECT TO RETURN ON DEMAND. ALL PRODUCT, PRODUCT SPECIFICATIONS AND DATA ARE SUBJECT TO CHANGE WITHOUT NOTICE.

UNLESS OTHERWISE NOTED:

1. DIMS IN MILLIMETRES
2. X  $\pm 0.75$
3. XX  $\pm 0.25$
4. XXX  $\pm 0.075$
5. ANGLES  $\pm 1/2^\circ$
6. ECCENTRICITY 0.075 MAX
7. FLATNESS 0.075 T.I.R.
8. SURFACE FINISH: 125  $\checkmark$
9. BREAK EDGES



**Ocean Sonics Limited**  
NOVA SCOTIA, CANADA  
WWW.OCEANSONICS.COM

TITLE

**200M REPEATER**



SIZE  
**A**

DRAWING NUMBER

**PUB-CS2-R**

REV  
**A**

SCALE  
**2:3**

SHEET

**1 OF 1**