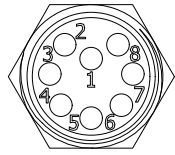
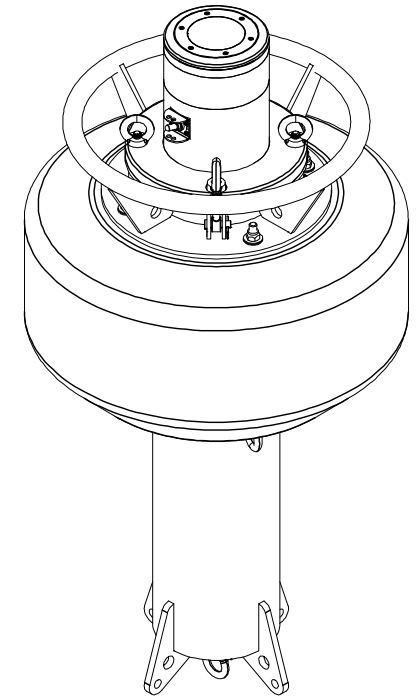
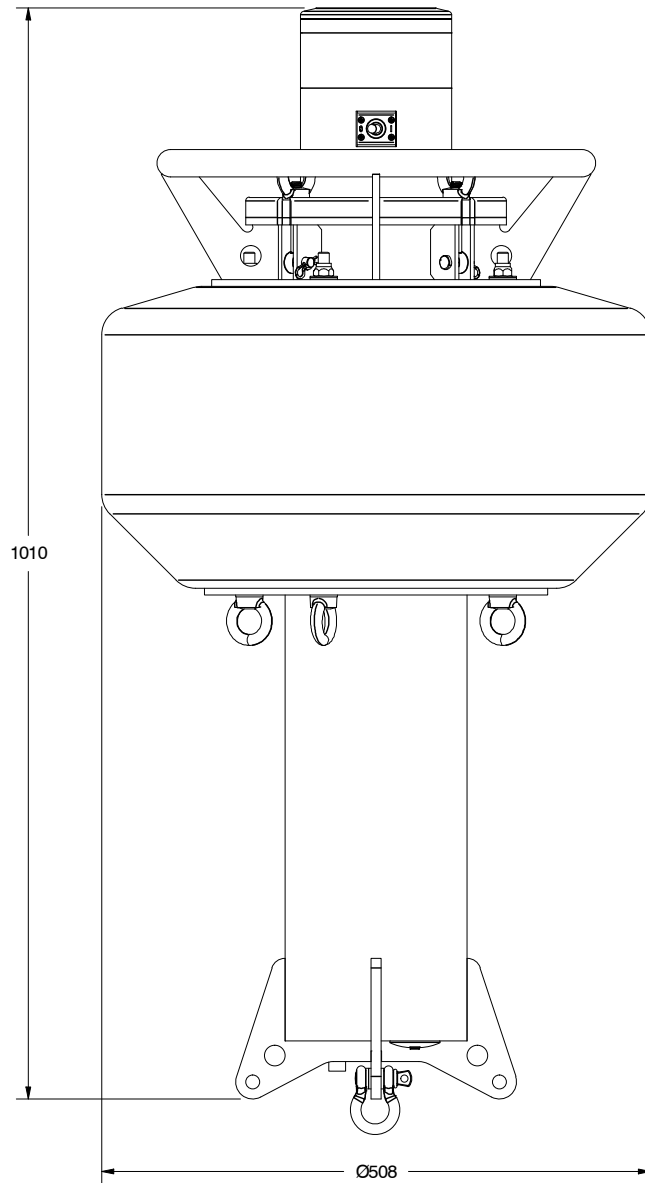


PIN ASSIGNMENT	
PIN	SIGNAL
1	DC RTN
2	GND
3	TX-
4	TX+
5	RX-
6	RX+
7	DC PWR
8	SYNC



FEMALE SOCKETS
FACE VIEW



NOTES:

1. CONNECTOR: SUBCONN MCBH-8M
2. MATERIAL, HULL: ALUMINUM
3. MATERIAL, FLOAT COLLAR: IONOMER FOAM
4. RESERVE BUOYANCY: 25 Kg
5. NOMINAL BATTERY VOLTAGE: 24.0
6. NOMINAL BATTERY CAPACITY: 10 Ah

THE INFORMATION CONTAINED IN THIS DOCUMENT IS CONFIDENTIAL AND SHALL NOT BE MADE PUBLIC, OR COPIED, OR USED AS THE BASIS FOR THE MANUFACTURE OR SALE OF ITEMS UNLESS SPECIFICALLY AUTHORIZED IN WRITING BY OCEAN SONICS LIMITED. THIS DOCUMENT IS THE PROPERTY OF OCEAN SONICS LIMITED AND IS SUBJECT TO RETURN ON DEMAND. ALL PRODUCT, PRODUCT SPECIFICATIONS AND DATA ARE SUBJECT TO CHANGE WITHOUT NOTICE.

COPYRIGHT © 2019 OCEAN SONICS LTD.

UNLESS OTHERWISE NOTED:

1. DIMS IN MILLIMETRES
2. X ± 0.75
3. XX ± 0.25
4. XXX ± 0.075
5. ANGLES ± 1/2°
6. ECCENTRICITY 0.075 MAX
7. FLATNESS 0.075 T.I.R.
8. SURFACE FINISH: 125✓



Ocean Sonics Limited
NOVA SCOTIA, CANADA
WWW.OCEANSONICS.COM

TITLE

WiFi RADIO BUOY

SIZE
A

DRAWING NUMBER

PUB-BOS-W

REV
A

SCALE
1:1

SHEET
1 OF 1