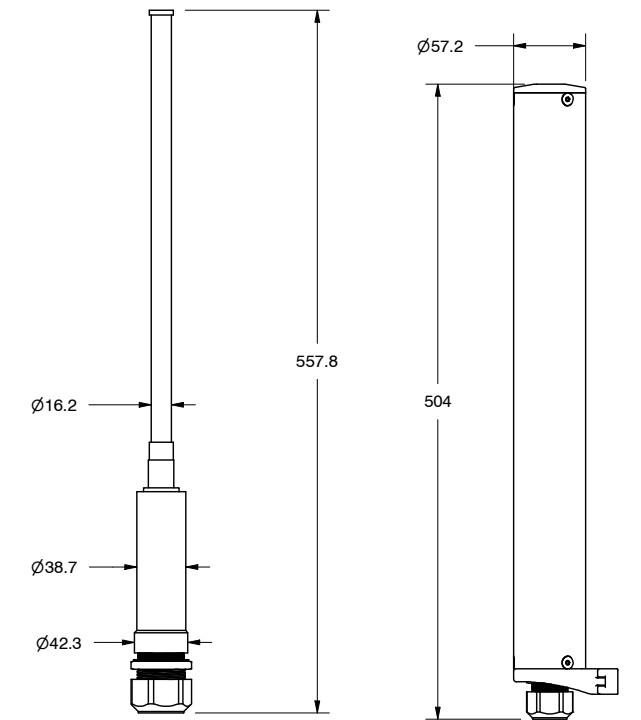


BALLAST FRAME FOR EXTENDED ANTENNAS  
CONFIGURABLE FROM 2.1 KG TO 8.9 KG



RADIO ANTENNA MODULE

WIFI ANTENNA MODULE

| COMPONENT                    | MASS       |
|------------------------------|------------|
| EMPTY SYSTEM                 | 15 KG      |
| BATTERY PAYLOAD              | 10 KG      |
| INTERNAL BALLAST             | 10 KG      |
| EXTERNAL BALLAST (OPTION)    | 2.1-8.9 KG |
| STANDARD CONFIGURATION TOTAL | 33.9 KG    |

THE INFORMATION CONTAINED IN THIS DOCUMENT IS CONFIDENTIAL AND SHALL NOT BE MADE PUBLIC, OR COPIED, OR USED AS THE BASIS FOR THE MANUFACTURE OR SALE OF ITEMS UNLESS SPECIFICALLY AUTHORIZED IN WRITING BY OCEAN SONICS LIMITED. THIS DOCUMENT IS THE PROPERTY OF OCEAN SONICS LIMITED AND IS SUBJECT TO RETURN ON DEMAND. ALL PRODUCT, PRODUCT SPECIFICATIONS AND DATA ARE SUBJECT TO CHANGE WITHOUT NOTICE.

- UNLESS OTHERWISE NOTED:  
 1. DIMS IN MILLIMETRES  
 2. X ± 0.75  
 3. X.X ± 0.25  
 4. X.XX ± 0.075  
 5. ANGLES ± 1/2°  
 6. ECCENTRICITY 0.075 MAX  
 7. FLATNESS 0.075 T.I.R.  
 8. SURFACE FINISH: 125/

**OCEAN SONICS** Ocean Sonics Limited  
 NOVA SCOTIA, CANADA  
 WWW.OCEANSONICS.COM

|   |                              |                        |                     |
|---|------------------------------|------------------------|---------------------|
| TITLE<br><b>DRIFTER BUOY DIMENSIONS</b> |                              |                        |                     |
| SIZE<br><b>B</b>                        | DRAWING NUMBER<br><b>BOS</b> | REV<br><b>A</b>        | SCALE<br><b>1:8</b> |
|   |                              | SHEET<br><b>1 OF 1</b> |                     |