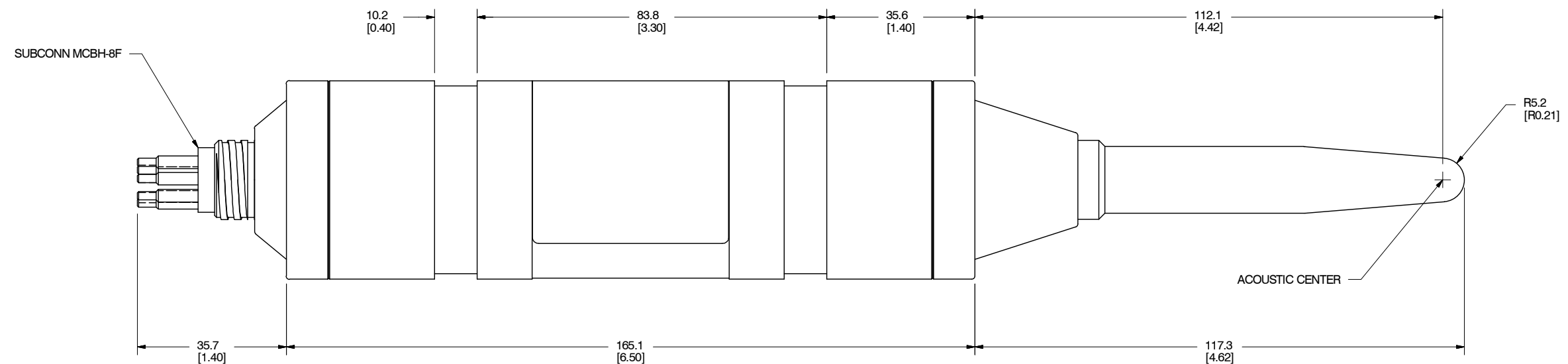
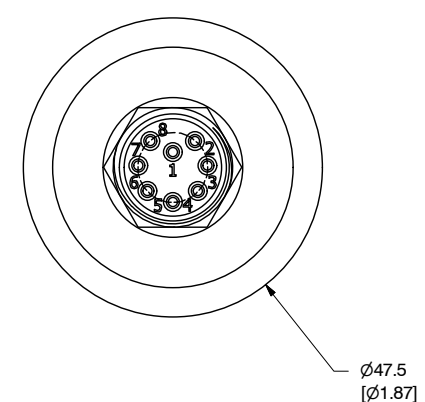


COTS/IMC #	ITEM NO.	QTY.	DESCRIPTION	SPECIFICATION/ PART #/MRN	REV.	MANUFACTURER/ NSCM
------------	----------	------	-------------	------------------------------	------	-----------------------



THE INFORMATION CONTAINED IN THIS DOCUMENT IS CONFIDENTIAL AND SHALL NOT BE MADE PUBLIC, OR COPIED, OR USED AS THE BASIS FOR THE MANUFACTURE OR SALE OF ITEMS UNLESS SPECIFICALLY AUTHORIZED IN WRITING BY RRMCM DARTMOUTH. THIS DOCUMENT IS THE PROPERTY OF RRMCM DARTMOUTH AND IS SUBJECT TO RETURN ON DEMAND.

REV.	DATE	REMARKS	REV. BY
	NOV 22-16	PRODUCTION ISSUE	

REVISIONS			
DESIGNED	PJP	PROJECT	icLISTEN
DRAWN	PJP	TITLE	RB9 MECHANICAL OUTLINE
CHECKED			
APPROVED			
QA			

		<b>OCEAN SONICS LIMITED</b> HILL HOUSE, 11 LORNEVALE ROAD GREAT VILLAGE, NOVA SCOTIA CANADA B0M 1L0 TEL: (902) 655-3000 FAX: (902) 655-3001	
1. DIMS IN MILLIMETRES 2. X ± 0.75 3. XX ± 0.25 4. XXX ± 0.075 5. ANGLES ± 1/2° 6. ECCENTRICITY 0.075 MAX 7. FLATNESS 0.075 T.I.R. 8. SURFACE FINISH: 12.5/ 9. BREAK EDGES	PROJECT NO. DRAWING NO. 11324	REVISION SCALE 5:6	DATE NOV 22-16 SHEET 1 OF 1

NSCM

UNLESS OTHERWISE NOTED:

1. DIMS IN MILLIMETRES  
 2. X ± 0.75  
 3. XX ± 0.25  
 4. XXX ± 0.075  
 5. ANGLES ± 1/2°  
 6. ECCENTRICITY 0.075 MAX  
 7. FLATNESS 0.075 T.I.R.  
 8. SURFACE FINISH: 12.5/  
 9. BREAK EDGES

THIRD ANGLE