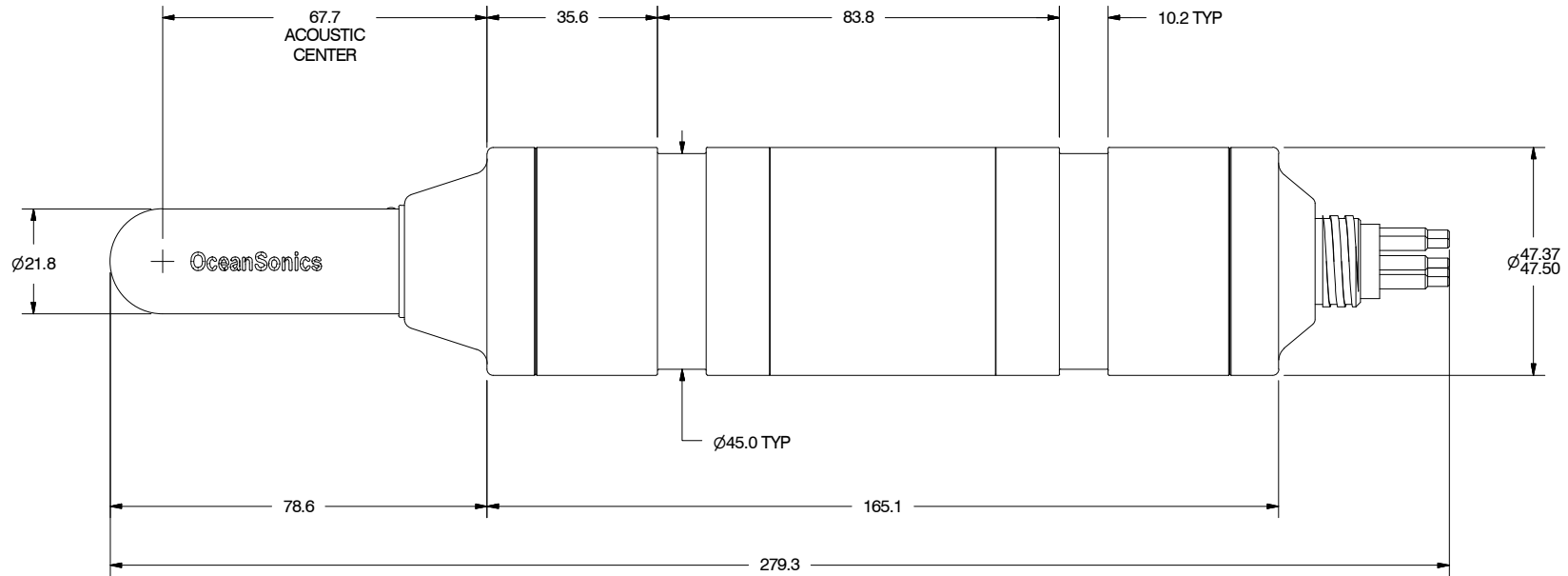
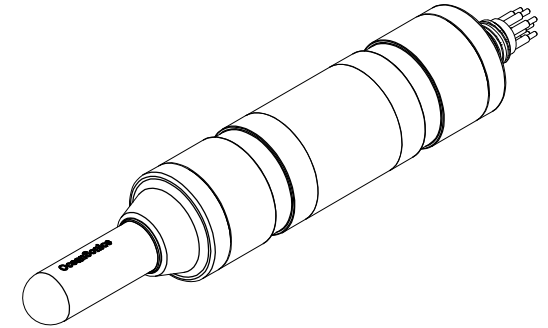
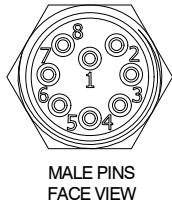


PIN ASSIGNMENT	
PIN	SIGNAL
1	DC RTN
2	GND
3	TX-
4	TX+
5	RX-
6	RX+
7	DC PWR
8	SYNC



**NOTES:**

1. CONNECTOR: SUBCONN MCBH-8M-TI
2. CASE MATERIAL: POM
3. END CAP MATERIAL: TITANIUM
4. MAX. WORKING DEPTH: 200 m
5. MASS: 584 g
6. WEIGHT IN SEAWATER: 242 g

THE INFORMATION CONTAINED IN THIS DOCUMENT IS CONFIDENTIAL AND SHALL NOT BE MADE PUBLIC, OR COPIED, OR USED AS THE BASIS FOR THE MANUFACTURE OR SALE OF ITEMS UNLESS SPECIFICALLY AUTHORIZED IN WRITING BY OCEAN SONICS LIMITED. THIS DOCUMENT IS THE PROPERTY OF OCEAN SONICS LIMITED AND IS SUBJECT TO RETURN ON DEMAND. ALL PRODUCT, PRODUCT SPECIFICATIONS AND DATA ARE SUBJECT TO CHANGE WITHOUT NOTICE.

UNLESS OTHERWISE NOTED:  
 1. DIMS IN MILLIMETRES  
 2. X ± 0.75  
 3. XX ± 0.25  
 4. XXX ± 0.075  
 5. ANGLES ± 1/2°  
 6. ECCENTRICITY 0.075 MAX  
 7. FLATNESS 0.075 T.I.R.  
 8. SURFACE FINISH: 125 ✓  
 9. BREAK EDGES



**Ocean Sonics Limited**  
 NOVA SCOTIA, CANADA  
 WWW.OCEANSONICS.COM

TITLE

**icListen HF, 200 m, C-Type**



SIZE  
**A**

DRAWING NUMBER  
**PUB-SC2-ETH-NC**

REV  
**1**

SCALE  
**2:3**

SHEET  
**1 OF 1**